



BATTISTELLA®

MACCHINE PER STIRARE
IRONING EQUIPMENT

 **ΡΑΠΤΟΜΗΧΑΝΕΣ.gr**

Instructions and maintenance

BARBARA 27 da tavolo mod. 2010

BATTISTELLA B.G. S.r.l.

Via Bessica, 219 36028 Rossano Veneto (VI) ITALY ☎ : +39-0424-549027

📠 : +39-0424-549007 🌐 : www.battistellag.it ✉ : info@battistellag.it

This manual is property of BATTISTELLA B.G. S.r.l. We reserve the right to make changes without notice. All rights reserved.

ΕΠΙΣΗΜΟΣ ΑΝΤΙΠΡΟΣΩΠΟΣ ΕΛΛΑΔΟΣ

ΚΟΡΝΑΡΑΚΗΣ ΓΙΑΝΝΗΣ

ΓΕΡΩΝΥΜΑΚΗ 12 ΗΡΑΚΛΕΙΟ

ΤΗΛ. 2810 283409

info@raptomixanes.gr

www.raptomixanes.gr

INSTRUCTIONS AND MAINTENANCE

BARBARA 27 PORTABLE MODEL mod. 2010

**Read these directions carefully before operating.
Don't use the machine differently from the following description.**

1. SPECIFICATIONS

MODEL:	BARBARA 27 PORTABLE MODEL mod. 2010
POWER SUPPLY:	230 V – 50/60 Hz
TOTAL INSTALLED POWER:	2250 W
IRON POWER:	800 W
BOILER POWER:	1450 W
BOILER CAPACITY:	3,4 L. (INOX)
IRONING ENDURANCE:	about 3-4 hours
OPERATING STEAM PRESSURE:	2,8 BAR
MAXIMUM PRESSURE:	5 BAR
WEIGHT:	11,5 kg.
OVERALL DIMENSIONS:	25x29x37 h. cm
MADE IN ITALY	

2. IMPORTANT

Before installing BARBARA 27 PORTABLE MODEL, it is necessary to set up a protected electrical socket suitable to its power (it is better to use an earth protector thermo magnetic switch 16 A Id 30mA).

For the transport and the movement of BARBARA 27 PORTABLE MODEL, take the generator only by the specific handle. Never pull its electric wires (fig. 1).

This machine is not suitable for people (children included) with physical or mental handicaps or inexperienced persons, unless they are instructed by a person who takes the responsibility for their safety. Children must not play with the steam generator.

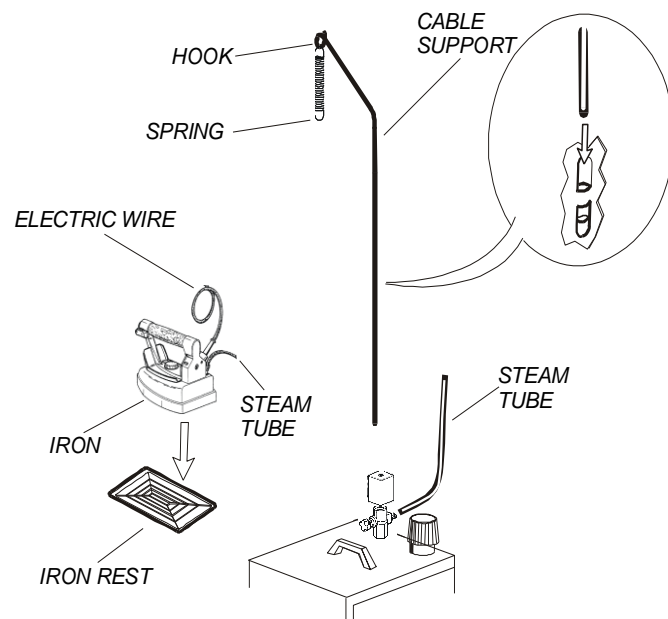


Fig. 1

3. OPENING OF PACKAGE

1. Open the box containing BARBARA 27 PORTABLE MODEL from the side marked with ALTO↑, take the manual of instructions and read it carefully.
2. Remove BARBARA 27 PORTABLE MODEL from the box, insert the cable support deep into the special hole placed on the backside of the generator (fig. 1).
3. Fix the spring to the support hook, avoiding entwining (fig. 1).
4. Place the iron on the rubber iron rest supplied with the machine (fig. 1).
5. For BARBARA 27 PORTABLE MODEL supplied with trolley: screw the trolley knob on the proper connection under the base of the BARBARA 27 PORTABLE MODEL.

4. CONNECTION AND STARTING

With BARBARA 27 PORTABLE MODEL switched off and disconnected plug:

1. Unscrew the safety valve plug from BARBARA 27 PORTABLE MODEL (fig. 1), fill the boiler with water to desire level (it is suggest not to exceed MAX level - fig. 2). Take the plug by the plastic part and screw it again: do not tighten too much or its gasket might get spoilt (see section 7).
N.B.: in the models equipped with water discharge (accessory available by request) make sure the exhaust tap of the boiler is closed (fig. 7).
2. Insert the plug into a 230 V 16 A socket.
3. **In case the boiler is too much filled** exceeding MAX level, the iron might leak water. Switch off the machine, unscrew the valve plug a little, wait for the exit of the steam, remove the valve plug, wait for the water and boiler to cool down, then rotate BARBARA 27 PORTABLE MODEL rightwards in such a way that the excess water goes out (see section 8). In the models equipped with exhaust tap, open it with care (fig. 7).
4. Switch on the boiler (fig. 2 B). Five minutes later switch on the iron (fig. 2 C) and adjust the thermostat (fig. 4) on "cotton".
5. Wait for the boiler lamp to switch off (fig. 2 A). Seize the iron by cork handle and press the micro-switch of the iron (fig. 5) 4-5 times, so that steam comes out. It is important to make sure it is a saturated steam (by pressing the micro-switch with the iron pointed towards the floor). It is possible to adjust steam flux by turning the hand-wheel placed on the solenoid valve (fig. 3). Now everything is ready for ironing. During ironing operation, the boiler lamp switches on and off signalling that the machine is working properly (fig. 2 A).

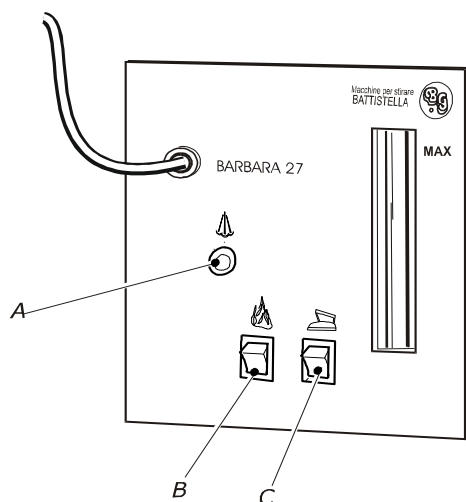


Fig. 2

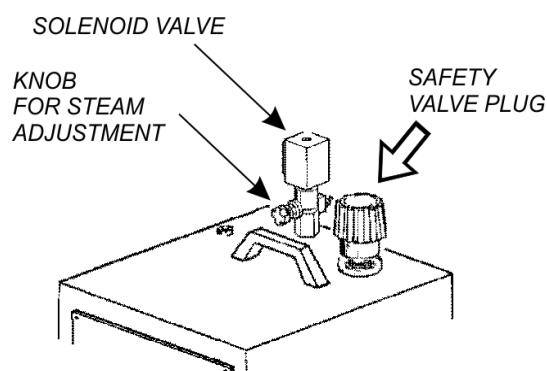


Fig. 3

5. GENERAL WARNINGS

1. Connect BARBARA 27 PORTABLE MODEL to a suitable and protected socket (avoid connecting the device to multiple sockets or extensions which are not suitable to its power).
2. Keep children away from BARBARA 27 PORTABLE MODEL, both when it is on and off.
3. Place the equipment on a steady surface indoor with a temperature between +10°C and +40°C. Do not leave BARBARA 27 PORTABLE MODEL outside exposed to the action of the atmospheric agents.
4. Always place the equipment horizontally during the ironing operation.
5. Place the BARBARA 27 PORTABLE MODEL trolley (accessory available by request) next to the ironing board. Do not pull the cable and the tube of the iron too hard because the trolley might be overturned.
6. The operator must never leave the steam generator unattended when it is switched on.
7. Use only drinkable water coming from the water supply for the domestic use.
8. Never add any sort of additives to water.
9. Never empty the boiler while it is working (see section 8).
10. Never unscrew the safety valve plug while machine is being use.
11. Never replace the safety valve plug (fig. 3) with other types of plug.
N.B.: the safety valve plug is set at 4,5 bar and it has the function of a safety valve.
12. Never leave the iron on the board or on garments when it is on.
13. Never place the iron directly on the metal part of the iron rest (always use the proper rubber rest).
14. Do not iron garments directly on persons or things.
15. When in use, do not bring the machine near inflammable or thermo-labile parts.

6. IRONING OPERATION

1. Run the iron on garments, pressing the micro switch of the iron at intervals so that steam comes out (fig. 5).
2. For delicate, blue and black garments, we suggest the use of the anti-sheen shoe.
3. During the ironing, pay attention to put the iron on its rubber rest (fig. 1).
4. For dry ironing it is possible to adjust the thermostat (fig. 4) on different positions according to the type of fabric (look at the garment label). For steam ironing, set the thermostat on "cotton" or "linen".
5. When BARBARA 27 PORTABLE MODEL is used with a non-vacuum board, some circular water spots might form. In this case, reduce the steam flux through the knob for steam adjustment (fig. 3). It is recommended to combine the machine with a vacuum and heated ironing board.

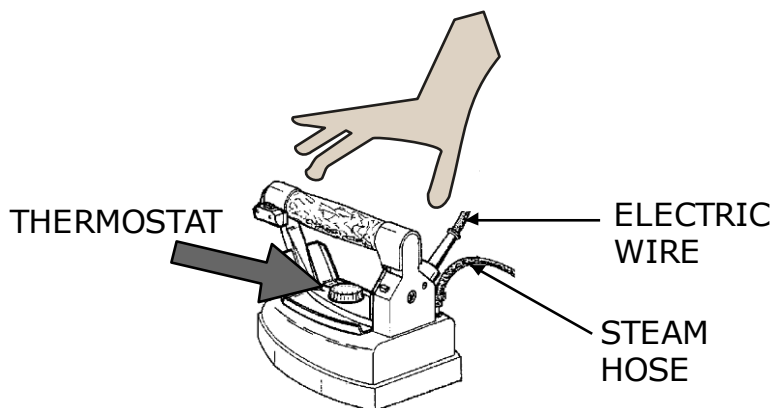


Fig. 4

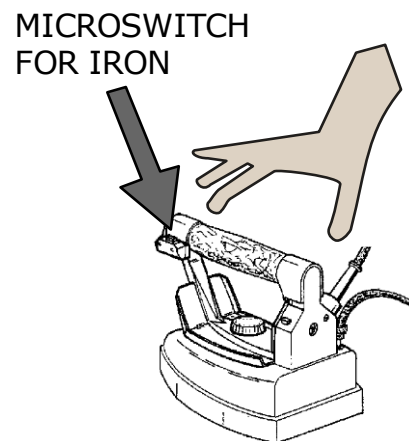


Fig. 5

7. WATER FILLING

During the ironing, when the steam flux decreases considerably and then ends definitely, it means that there is no more water in the boiler.

At this point disconnect the plug, rotate the valve plug (fig. 3) of 360° and wait for steam to go out completely. Unscrew the valve plug with care and wait 5/10 minutes.

Then fill the boiler up to desired level (fig. 6) pay attention not to exceed MAX level (see section 4 point 1). It is suggest to fill the boiler using a funnel. Screw the valve plug again (fig. 1), connect the plug and wait for the boiler lamp to switch off (fig. 2 A).

Now the iron is ready again. While refilling the boiler, do not spill water onto the machine. In the event this should happen, dry immediately in order to avoid electrical risks.

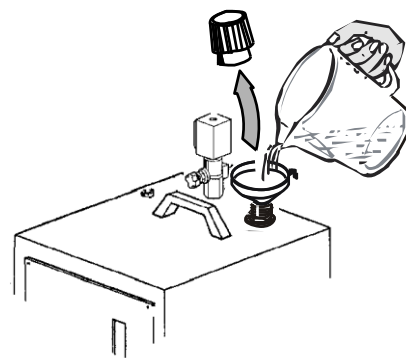


Fig. 6

8. BOILER WATER DISCHARGE

Empty the boiler periodically. Carry out this operation when BARBARA 27 PORTABLE MODEL is turned off, cold and the plug disconnected. Wait at least 1 hour after the switching off. During this procedures, wear proper gloves in order to avoid accidental burns.

Unscrew the valve plug (fig. 3) and rotate BARBARA 27 PORTABLE MODEL rightwards so that water and possible impurities come out.

FOR MODEL WITH WATER DISCHARGE (optional):

Unscrew and remove the valve plug and open the exhaust tap (fig. 7).

Once all the water has come out, remember to close the tap!

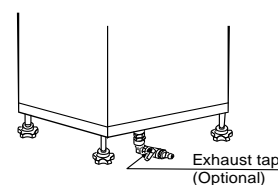


Fig. 7

9. GOOD FUNCTIONING

BARBARA 27 PORTABLE MODEL was designed and manufactured for the ironing of domestic garments. It can be used maximum 20 hrs. per week or 80 hrs. per month (subdivided in many times).

10. INTERVENTIONS AND SMALL REPAIRS

1. It is advisable to empty the boiler every 2 or 3 times you use it.
2. It is advisable to replace the gasket of the safety valve plug (use only original gaskets) every 1200 hrs. of lighting or maximum 2 years, or earlier if it is damaged. Carry out this operation when the machine is switched off and cold.
3. If the electric wire is damaged, replace it immediately. The wire is supplied by the manufacturer or authorized service centres.

11. COMPULSORY PERIODICAL MAINTENANCE

(To be carried out exclusively by assistance centres or by the manufacturer)

It is recommended to replace:

1. the internal safety valve every 2100 hrs. of ironing or maximum 3 years;
2. the internal thermostats every 2100 hrs. of ironing or maximum 3 years;
3. steam tube and iron cable once they seem damaged (fig. 4);
4. the safety valve plug every 2500 hrs. of ironing or maximum 3 years (fig. 3).

It is recommended also to clean the boiler from limestone every 2500 hrs. of ironing or maximum 3 years.

12. ELECTRICAL RISKS

The following situations are considered dangerous for the operator:

1. earth protector switch is activated when turning on the machine;
2. using BARBARA 27 PORTABLE MODEL during thunderstorms;
3. using BARBARA 27 PORTABLE MODEL without proper protection for feet (without shoes...) or with wet hands and feet;
4. damage of electric wires;
5. when the electric wire touches hot parts of the machine;
6. loss of water from iron or iron overheating (fig. 4);
7. washing or cleaning the iron using water (fig. 4);
8. loss of water from the machine;
9. filling the boiler when the machine is switched on.

13. MECHANICAL RISKS

The following situations are considered dangerous for the operator:

1. using BARBARA 27 PORTABLE MODEL for different purposes other than ironing;
2. replacing the safety valve plug gasket with non-original gaskets.

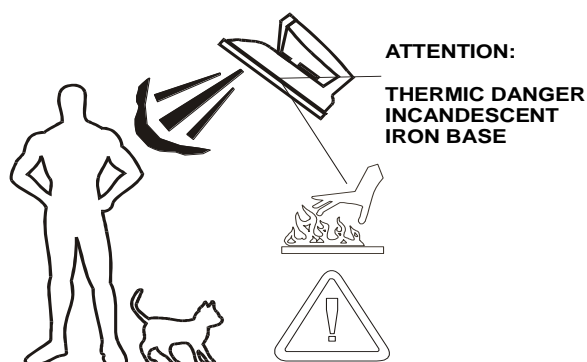
14. THERMIC RISKS

The machine can become extremely hot: use it very carefully and disconnect the plug when not in use.

It is suggest to proceed with the cleaning of the machine only when it is cold.

The following situations are considered dangerous for the operator:

1. touching iron base when it is hot;
2. touching the solenoid valve when BARBARA 27 PORTABLE MODEL is under pressure;
3. emptying the boiler or touching the exhaust tap when the boiler is under pressure;
4. touching the valve plug when BARBARA 27 PORTABLE MODEL is under pressure;
5. pointing the steam jet towards people or animals.




- ❑ **Do not iron garments directly on persons.**
- ❑ **Do not leave hot iron on garments when it is on.**
- ❑ **After use, always put iron on its rubber rest.**

15. PACKING, STORAGE AND TRANSPORT

BARBARA 27 PORTABLE MODEL is packed in a cardboard box which cannot be turned upside down.

As this is not a stiff package, therefore it is not shock-resistant. We advise you to handle the box with utmost care and do not use it as stool or support.

For authorized distributor and resellers: do not store the boxes one on top of another and keep them dry, paying attention to store them with  upwards.

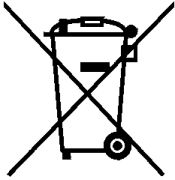
16. WARRANTY

The manufacturer's warranty becomes void:

- in the event of repairs carried out by unauthorized personnel or service centers;
- total or partial failure to follow the instructions contained in this manual;
- for poor storage, lack of maintenance/cleaning or incorrect assembly;
- when there are damages caused by the customer;
- when there are failures or damages that do not derive from a manufacturing defect;
- when there are damages deriving from a fortuitous event (fire, short circuit) or due to third parties (tampering);
- when there are damages caused by limescale;
- when the damage has been caused by the use of water different from that indicated in the instructions (see "WATER CONNECTION" chapter);
- when using the machine for a purpose different than the one specified in this manual;

- when using non-genuine spare parts or accessories, modified or not suitable for the appliance.

17. DISPOSAL



According to the directive 2012/19/UE on waste of electrical and electronic equipment, do not treat this product as household waste.

This appliance is marked according to the directive 2011/65/UE on restriction of use of specific dangerous substances in electrical and electronic equipment.

This symbol on the product or on its packaging indicates that this product shall not be treated as household waste. Instead it shall be handed over to the applicable collection point for the recycling of electrical and

electronic equipment.

Ensuring this product is disposed of correctly will help prevent potential negative consequences for the environment and human health which could otherwise be caused by inappropriate waste handling of this product. The recycling of materials will help to conserve natural resources.

The abusive disposal of the product by the user may lead to administrative sanctions.

.....

Every product manufactured by **BATTISTELLA B.G. S.r.l.** is subject to the following limitations:

- ❖ **Battistella B.G. S.r.l.** guarantees that this machine, correctly installed and used, works accordingly to this manual of instructions. Each implicit warranty is limited by law as from purchase date.
- ❖ **Declination of responsibility for consequential damages: Battistella B.G. S.r.l.** will never take the responsibility for any damage (included, without any limitation, consequential damages due to loss or no profit, cutback or any other economical loss) deriving from the use of a BATTISTELLA machine, even in case the Company had been previously informed of such kind of possibility.

Should you need **further information** about this manual, please contact **Battistella B.G. S.r.l.** or the person who sold you the machine.

.....